

Water Treatment Plant Project Services

Mechanical Engineering Services

Building Engineering Services

## ENGINEERING SERVICES



### WATER TREATMENT PLANTS

3D Revit BIM Modelling  
2D CAD Drafting  
Civil and Hydraulic Designing  
Hydro-Pneumatic, Gravity & Hybrid systems  
& More...



### MECHANICAL ENGINEERING

Design & Drafting  
3D Modeling  
PLC  
Piping Design  
Animations  
& More...



### BUILDING ENGINEERING

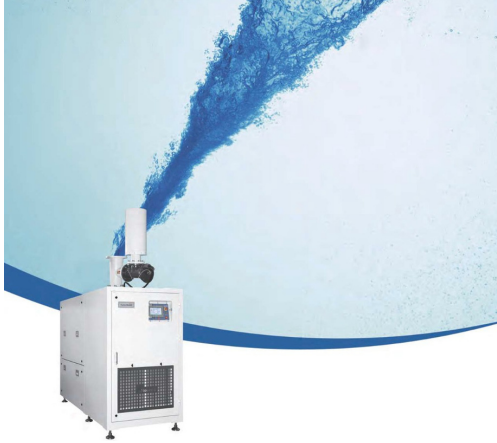
Pre-Construction  
3D BIM Modeling  
Renderings  
MEPF  
Energy Modeling  
& More...

Outsourcing Partner | USA | Canada | Australia | Middle East

**We Understand Your World ...**

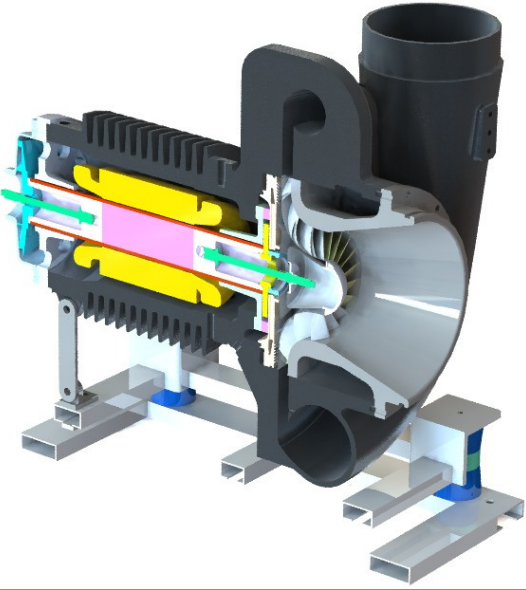


World Class Industrial Turbo Blowers from Neuros, South Korea

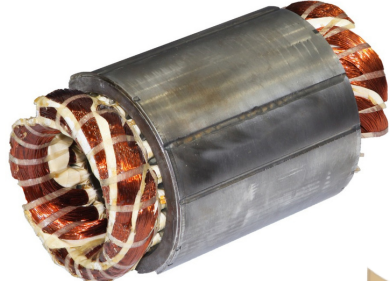


**AIRFOIL BEARING FROM AEROSPACE TECHNOLOGY**

**Permanent Magnet Synchronous Motor**



**Patented Cooling System**



Water Treatment Plants | Cement Factories | Dairy  
Pharma Factories | Municipal | Industrial | Residential

**WORLD'S BEST  
PERFORMANCE &  
ENERGY SAVINGS**



**MAKE IN INDIA |  
SERVICE IN INDIA**

**ECO-FRIENDLY**



## NEUROS TURBO BLOWERS

### FEATURES



### BENEFITS

Air Foil Bearing Turbo Blowers

Power Savings, Low Maintenance

Driven By Permanent Magnet Motor

Low Energy Consumption

Built In VFD (Variable Frequency Drive)

High Stability & Reliability

Built In PLC (Programmable Logic Controller)

Ease of Programming

Patented Cooling System

No Need for Air Conditioning

Direct Driven - No Gear Box

Small Footprint, Energy Efficiency

ZERO Oil System

100% Oil Free Air

ZERO Vibrations

Don't Require Special Foundation

Wide Range Of Flow & Pressure

Energy Savings





Looking to replace your PD Blowers ?

Neuros Turbo Blowers actually pays for itself by saving on power & maintenance costs of PD blowers

Contact us to know your payback period



## **Engineerio Technology Solutions LLP**

384/A, Ground Floor, Sindhura, RMV 2nd Stage, 2nd Block, Ashwathnagar, Bangalore, Karnataka, India- 560094